

WESTEN



STAR

SPARE PARTS LIST

- January 2005 -

WESTEN

HOW TO READ THE SPARE PARTS CATALOGUE

In the spare part catalogue, after the exploded diagrams, there are the components lists of the boilers; this is the meaning of the different columns:

Pos.	Identification number of the component in the exploded diagram of the boiler.
Description	Short description of the component.
Code	BAXI S.p.A. code of the component.
Tab. XX	XX is the exploded diagram number of the boiler taken into consideration.
From serial number	Date (year and week) identifying the beginning of production of a component (taken from the serial number of the boiler). e.g. B005: year 2000 (B identifies the decade 2000-2009; 0 identifies the year) – 5th week . If the box is empty, the component is in use from the beginning of production of the boiler.
To serial number	Date (year and week) identifying the end of production of a component (taken from the serial number of the boiler). e.g. B012: year 2000 (B identifies the decade 2000-2009; 0 identifies the year) – 12th week . If the box is empty, the component is still in use.
Interchangeable	It identifies the interchangeability between the new component and the old one. YES: components are interchangeable. NO: components are <u>not</u> interchangeable.

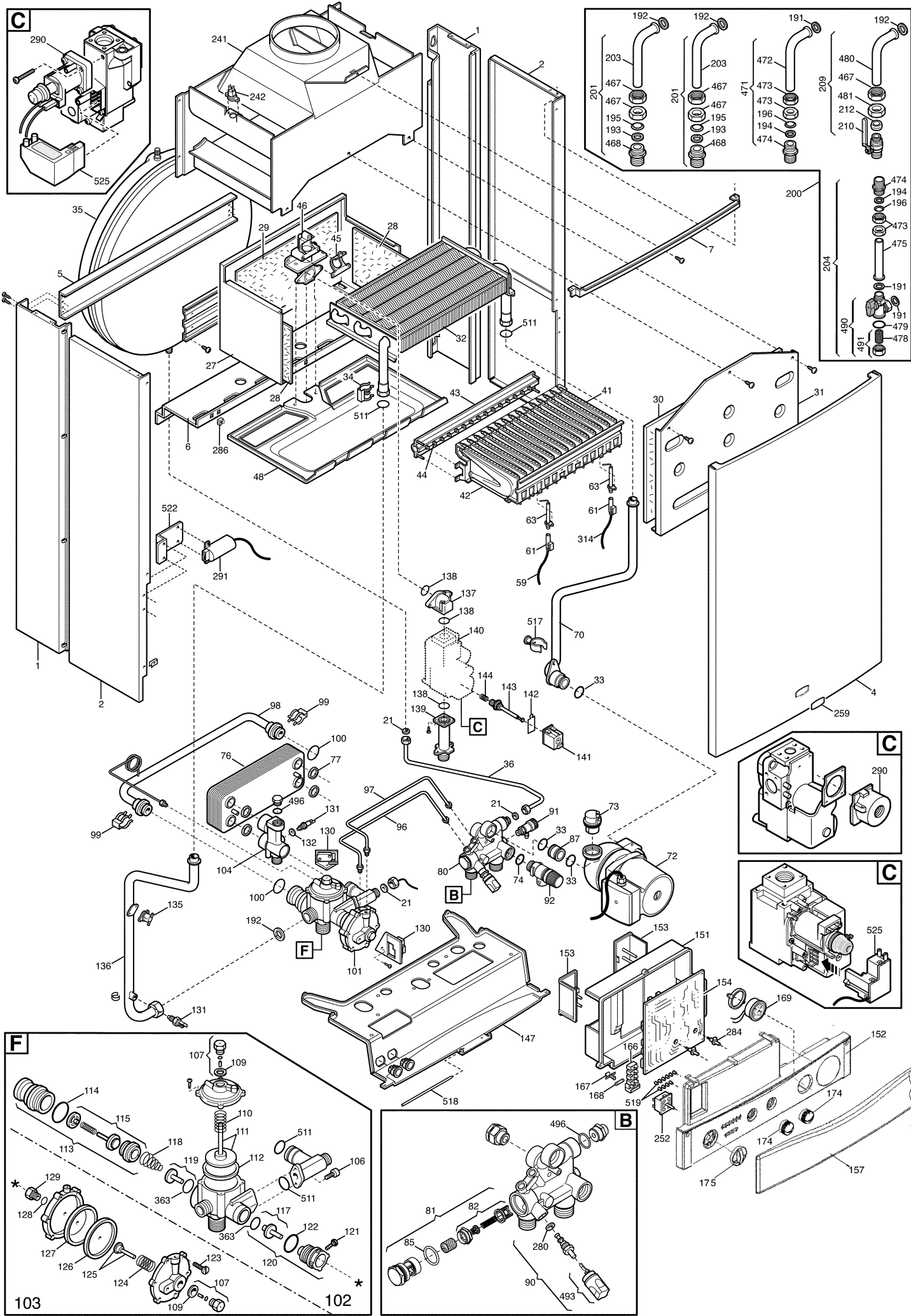
Note

Every model of boiler is available in the version working with Natural Gas or in the version working with LPG. The boiler's code (composed of a prefix CWB and 9 numbers) identifies the version as follows:

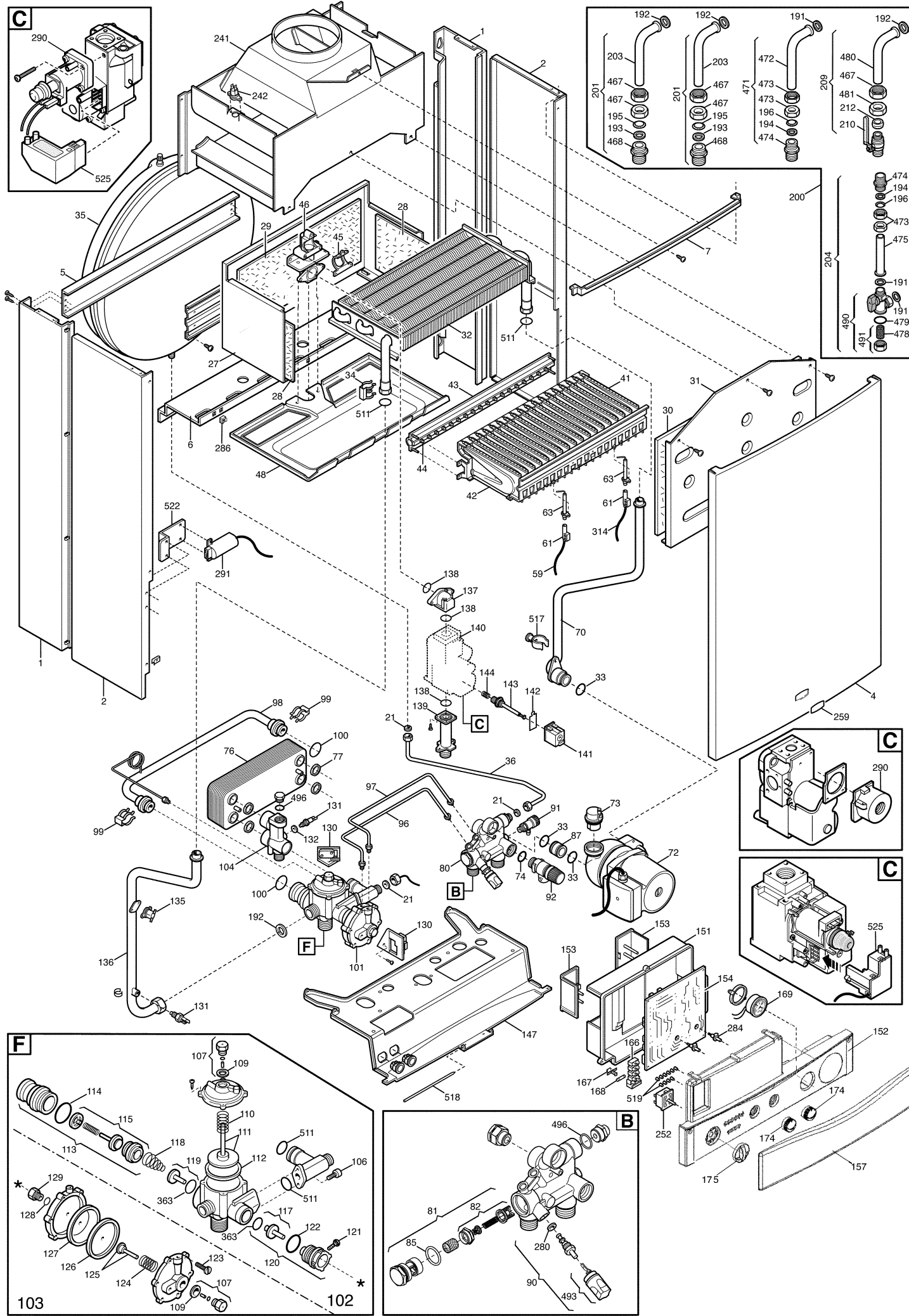
6th number = 1: LPG version

6th number = 3: Natural Gas version

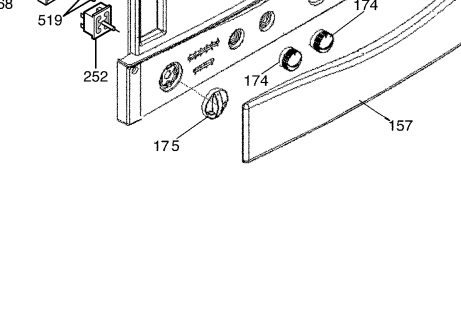
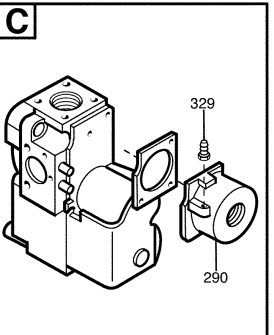
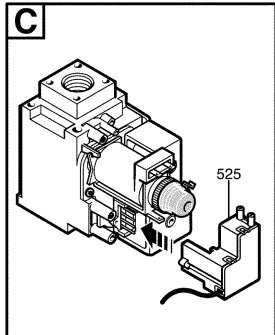
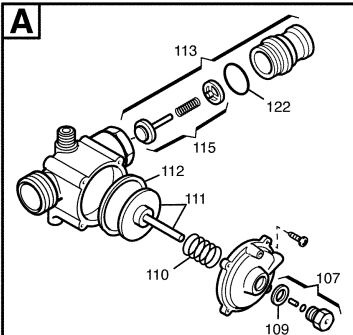
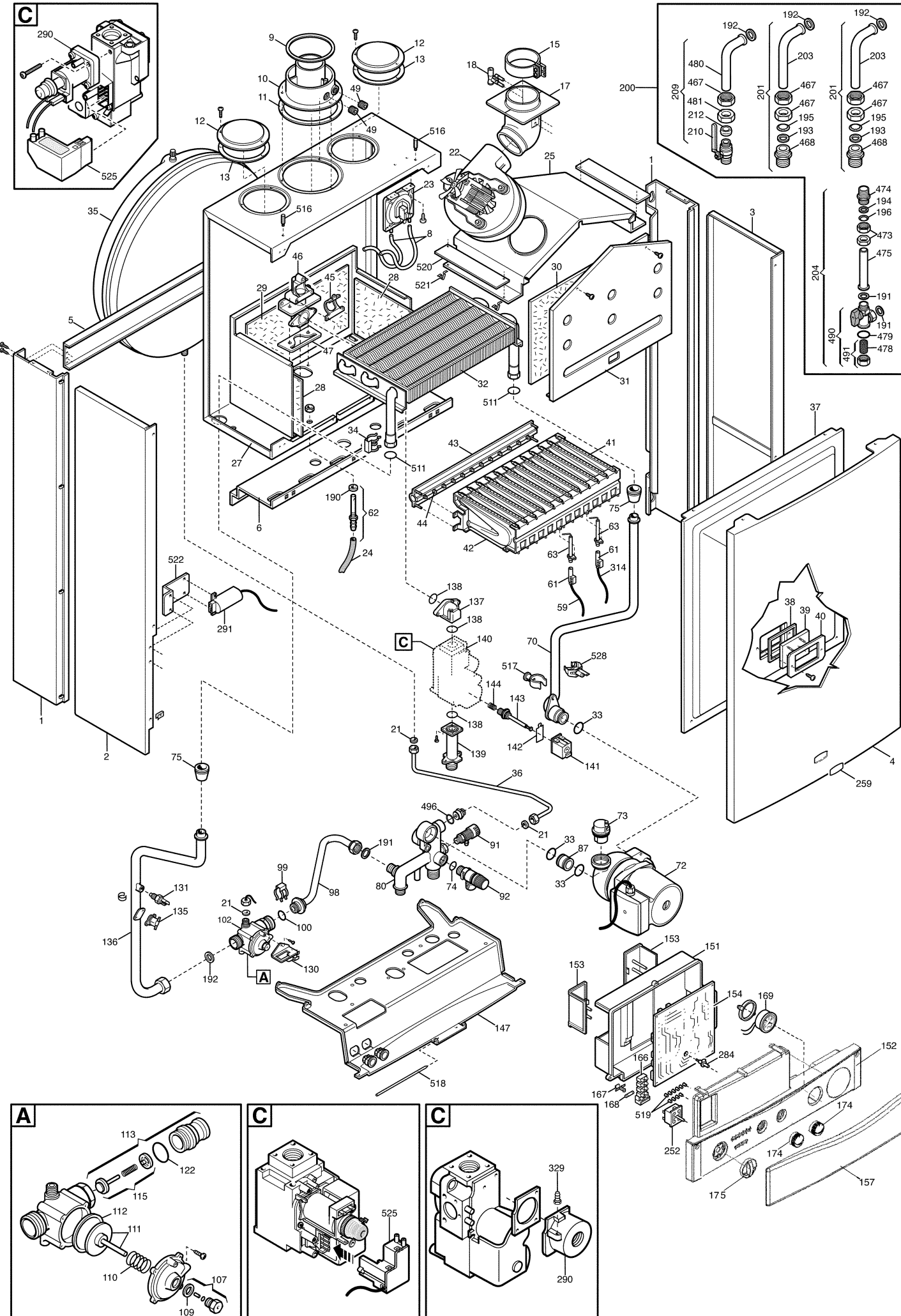
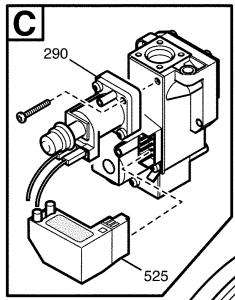
Tab. 1



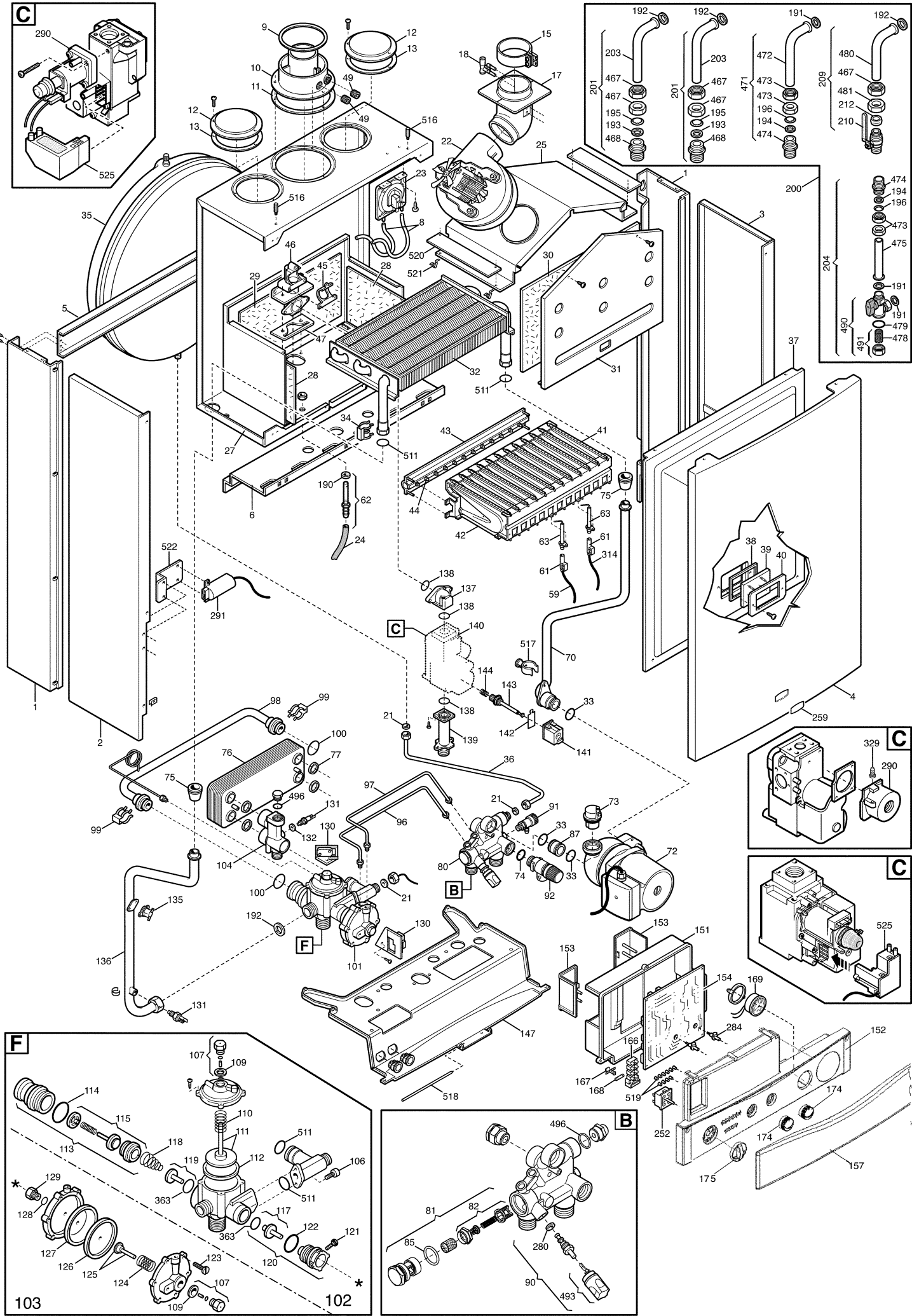
Tab. 2



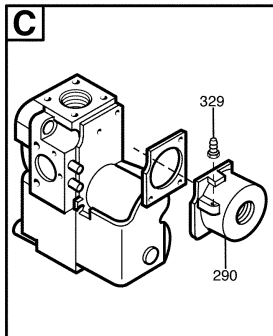
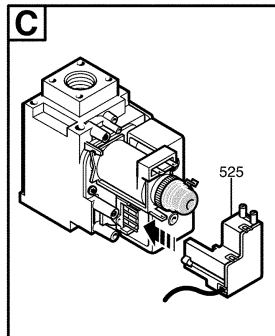
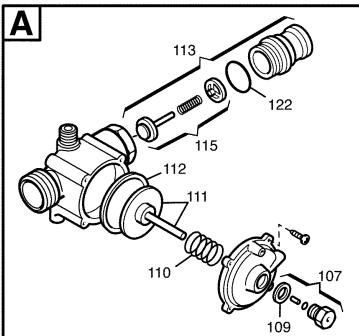
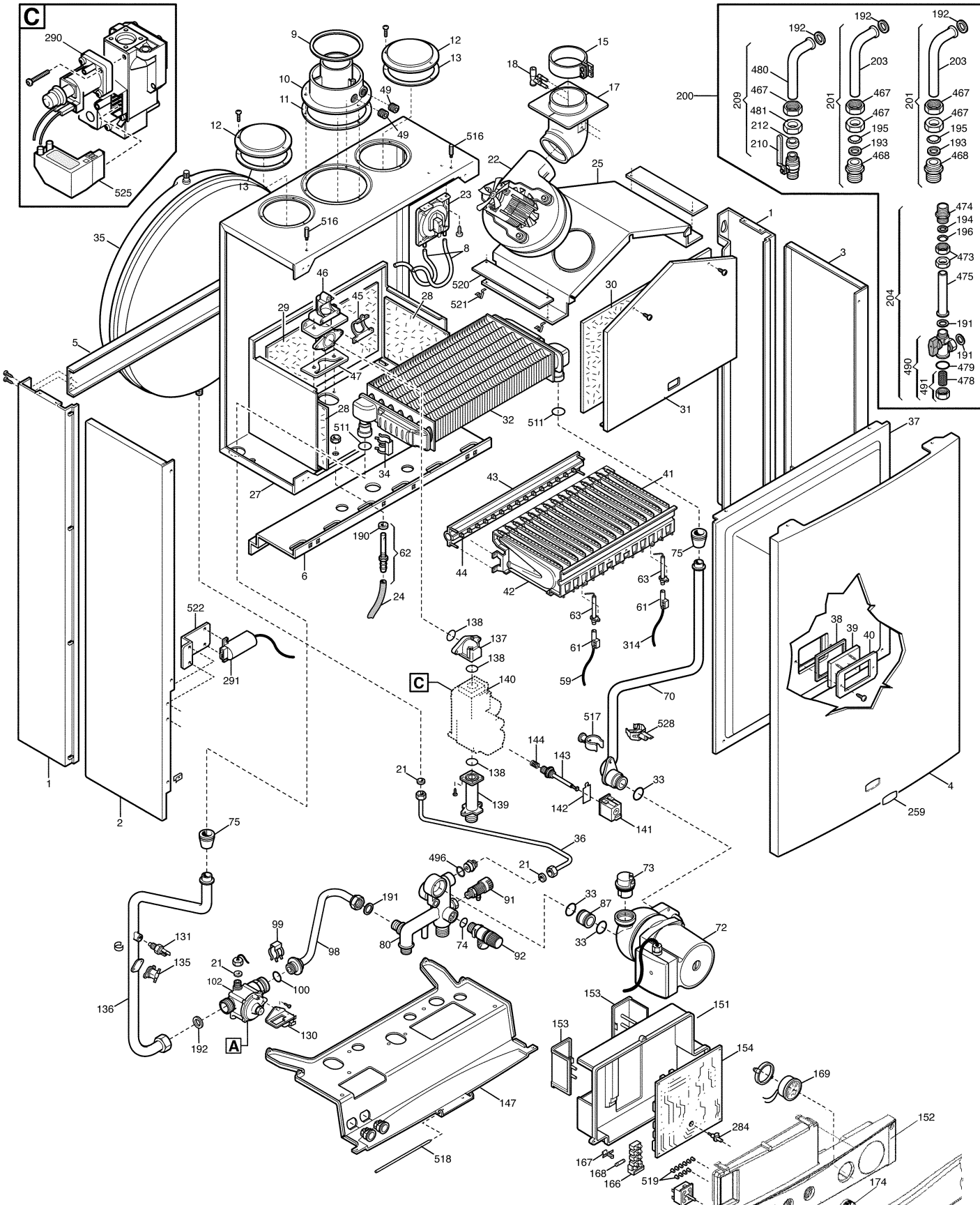
Tab. 3



Tab. 4



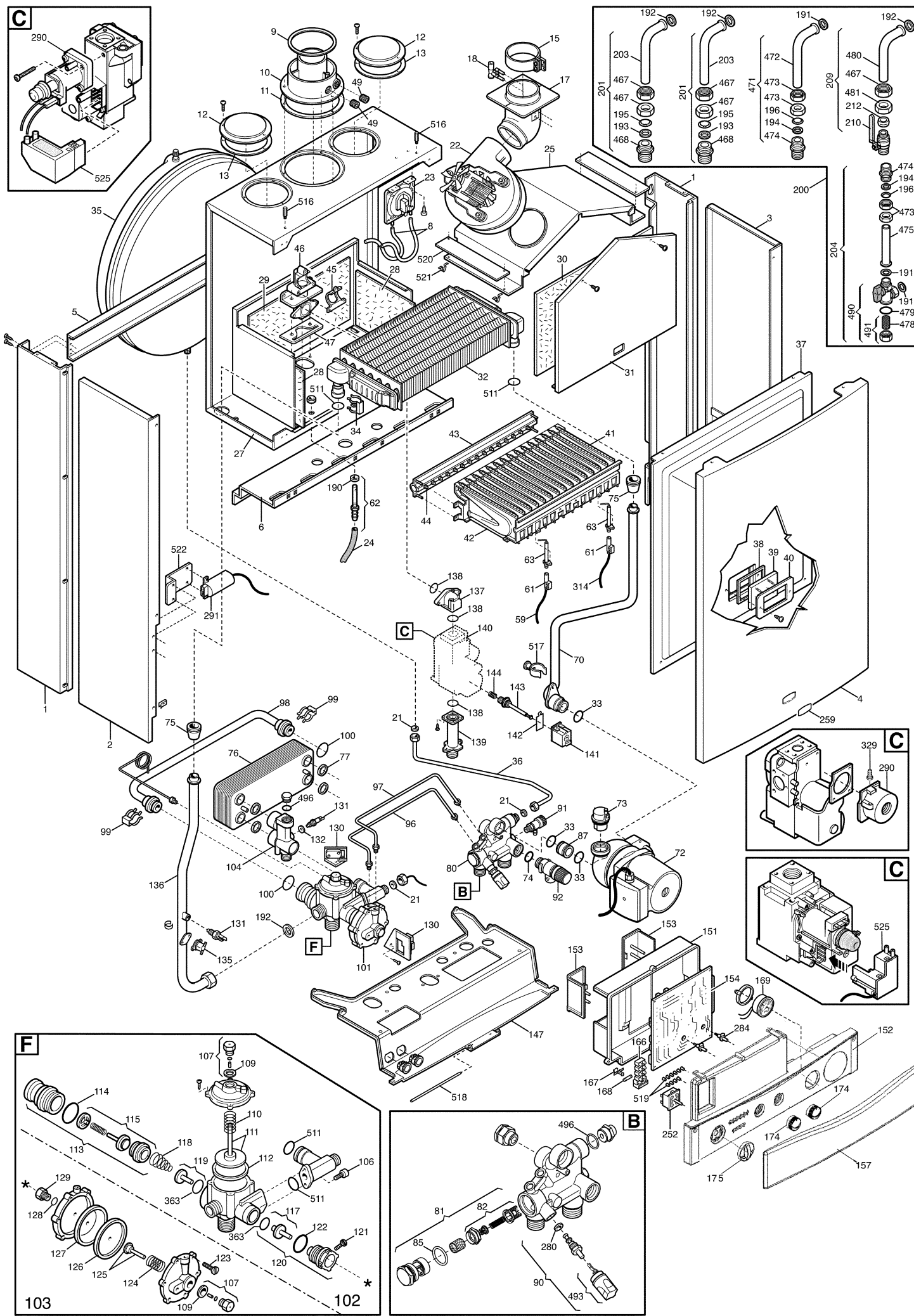
Tab. 5



WESTEN STAR 310 FI

NOTE : _____

Tab. 6



WESTEN STAR

Pos.	Description	Code	Model						From serial number	To serial number	Inter-changeable
			1	2	3	4	5	6			
			CYH4322A/970-1 STAR 240J CYH43228A/970-1 STAR 280J CYH4332A/970-1 STAR 1 240 FI CYH43313/970-1 STAR 1 310 FI CYH4332A/970-1 STAR 240 FI CYH4331A/970-1 STAR 310 FI								
1	LATERAL REAR SUPPORT H=763	5656180			•	•	•	•			
1	LATERAL REAR SUPPORT H=803	5656190	•	•							
2	LEFT PANEL ASSEMBLY H=763	5653630			•	•	•	•			
2	LATERAL PANEL H=803	5112030	•	•							
3	RIGHT PANEL ASSEMBLY H=763	5653620			•	•	•	•			
4	FRONTAL PANEL ASSEMBLY I	5656390	•	•							
4	FRONTAL PANEL ASSEMBLY FI	5112280			•	•	•	•			
5	UPPER TRAVERSE	5110290	•	•	•	•	•	•			
6	LOWER TRAVERSE	5109640	•	•	•	•	•	•			
7	FRONTAL TRAVERSE	5112020	•	•							
8	AIR PRESSURE SWITCH PIPE L=270	5408080			•	•	•	•			
9	SUCTION RESTRICTOR D.80	5108700			•	•	•	•			
10	COAXIAL FLUE FLANGE	5207060			•	•	•	•			
11	FLANGE GASKET	5407890			•	•	•	•			
12	SUCTION CAP	5108690			•	•	•	•			
13	SUCTION CAP GASKET	5407400			•	•	•	•			
15	JOINT ASSEMBLY (with gasket and screws)	600530			•	•	•	•			
17	CONVEYOR BEND	5211090			•	•	•	•			
18	FLUE PLASTIC VENTURI	5407050			•	•	•	•			
21	GASKET 6,1X12X1,5 WRC (ex 5402050)	5402050	•	•	•	•	•	•			
22	FAN 1 SPEED (MVL)	5653850			•			•			
22	FAN 1 SPEED (MVL) 75W	5655730				•		•			
23	FAN PRESSURE SWITCH (HONEYWELL)	5629560			•	•	•	•		B440	YES
23	FAN PRESSURE SWITCH (TRIDELTA)	5655120			•	•	•	•			YES
23	FAN PRESSURE SWITCH ASSEMBLY	618470			•	•	•	•	B441		YES
24	COMPENSATION PIPE L=130	5407930			•	•	•	•			
25	CONVEYOR ASSEMBLY	5653170			•			•			
25	CONVEYOR ASSEMBLY	5653180				•		•			
27	COMBUSTION CHAMBER ASSEMBLY (ATM)	5653760	•								
27	COMBUSTION CHAMBER ASSEMBLY (FF)	5653780			•			•			
27	COMBUSTION CHAMBER ASSEMBLY (FF)	5655480				•		•			
27	COMBUSTION CHAMBER ASSEMBLY (28ATM)	5655510		•							
28	LATERAL INSULATING PANEL	5210250	•	•	•			•			YES
28	LATERAL INSULATING PANEL	5213160	•	•	•			•			
28	LATERAL INSULATING PANEL	5210910				•		•			YES
28	LATERAL INSULATING PANEL	5213190				•		•			
29	REAR INSULATING PANEL	5210280		•							YES
29	REAR INSULATING PANEL	5213240		•							
29	REAR INSULATING PANEL	5210260	•		•	•	•	•			YES
29	REAR INSULATING PANEL	5213290	•		•	•	•	•			
30	FRONTAL INSULATING PANEL	5210270	•								YES
30	FRONTAL INSULATING PANEL	5213310	•								
30	FRONTAL INSULATING PANEL (FF)	5210750			•	•	•	•			YES
30	FRONTAL INSULATING PANEL (FF)	5213340			•	•	•	•			
30	FRONTAL INSULATING PANEL (ATM)	5210290		•							YES
30	FRONTAL INSULATING PANEL (ATM)	5213320		•							
31	COMB. CHAMBER PANEL	5111840			•			•			
31	COMB. CHAMBER PANEL	5111850				•		•			
31	COMB. CHAMBER FRONT PANEL	5108030	•								
31	COMB. CHAMBER FRONT PANEL	5108500		•							
32	PRIMARY EXCHANGER WITH CLIPS	5636760		•							
32	PRIMARY EXCHANGER WITH CLIPS	603280	•		•			•			YES
32	PRIMARY EXCHANGER WITH CLIPS	5632470	•		•			•			
32	PRIMARY EXCHANGER WITH CLIPS	608550				•		•			
33	O-RING 22X3 EPDM	5403130	•	•	•	•	•	•			
34	PRIMARY EXCHANGER CLIPS (ex 5109470)	5112510	•	•	•	•	•	•			
35	EXPANSION VESSEL 10 L.	5608840		•		•		•			
35	EXPANSION VESSEL 8 L.	5625560	•		•			•			

WESTEN STAR

Pos.	Description	Code	Model						From serial number	To serial number	Inter-changeable
			1	2	3	4	5	6			
36	EXPANSION VESSEL PIPE	5653290	•	•	•	•	•	•			
37	SEALED CHAMBER FRONT PANEL	5653710			•			•			
37	SEALED CHAMBER FRONT PANEL	5655750				•		•			
38	PILOT SIGHT GLASS GASKET	5401610			•	•	•	•			
39	PILOT SIGHT GLASS	5203930			•	•	•	•			
40	PILOT SIGHT FRAME	5103360			•	•	•	•			
41	BURNER ASSEMBLY (12 ELEMENTS)	5653310			•			•			
41	BURNER ASSEMBLY (15 ELEMENTS)	5653300	•				•		•		
41	BURNER ASSEMBLY (18 ELEMENTS)	5655610		•							
42	BURNER ELEMENT	5604090	•	•	•	•	•	•	•		
43	GAS RAMP WITH INJECTORS (LPG D.0,77)	605990			•			•			
43	GAS RAMP WITH INJECTORS (LPG D.0,69)	606190	•								
43	GAS RAMP WITH INJECTORS (N.G. D. 1,18)	606140	•								
43	GAS RAMP WITH INJECTORS (LPG D. 0,67)	606920		•							
43	GAS RAMP WITH INJECTORS (N.G. D. 1,18)	606910		•							
43	GAS RAMP WITH INJECTORS (N.G. D.1,28)	605850			•			•			
43	GAS RAMP WITH INJECTORS (LPG D.0,77)	607400				•			•		
43	GAS RAMP WITH INJECTORS (N.G. D. 1,28)	607410				•			•		
44	LPG INJECTORS KIT (D.0,67)	608470		•							
44	LPG INJECTORS KIT (D.0,69)	608460	•								
44	LPG INJECTORS KIT (D.0,77)	608450			•	•	•	•			
44	N.G. INJECTORS KIT (D. 1,18)	608440	•	•							
44	N.G. INJECTORS KIT (D.1,28)	608430			•	•	•	•			
45	GAS RAMP GASKET	5407940	•	•	•	•	•	•			
46	GAS RAMP CONNECTING FLANGE	5210680	•	•	•	•	•	•			YES
46	GAS RAMP CONNECTING FLANGE ASSEMBLY	5657180	•	•	•	•	•	•			
47	GASKET (GAS RAMP/SEALED CHAMBER)	5407810			•	•	•	•			
48	BURNER TRAY	5112090	•	•							
49	FLUE FLANGE CAP M14X1	5207070			•	•	•	•			
59	IGNITION ELECTRODE CABLE	8419050	•	•	•	•	•	•			
61	ELECTRODE PROTECTION CAP (ATM)	5404920	•	•							
61	ELECTRODE PROTECTION CAP (FF)	5407830			•	•	•	•			
62	SEALED CHAMBER HOSE ADAPTER ASS.	5643090			•	•	•	•			
63	IGNITION ELECTRODE	8422570	•	•	•	•	•	•			
70	PIPE ASSEMBLY (PUMP/EXCHANGER)	5653250	•		•			•			
70	PIPE ASSEMBLY (PUMP/EXCHANGER)	5655470				•		•			
70	PIPE ASSEMBLY (PUMP/EXCHANGER)	5655530		•							
72	PUMP UP 15-50 AO (GRUNDFOS)	5655200	•		•			•			
72	PUMP UP 15-60 AO (GRUNDFOS)	5655620		•		•		•			
73	AIR VENT VALVE WITH O-RING (GRUNDFOS)	607290	•	•	•	•	•	•			
74	O-RING 14X1,78 EP	5406360	•	•	•	•	•	•			
75	GASKET (WATER PIPE/SEALED CHAMBER)	5404670			•	•	•	•			
76	DHW PLATE EXCHANGER (12 plates) alt.9951040	5653660	•					•			
76	DHW PLATE EXCHANGER (14 plates)	5653680		•							
76	DHW PLATE EXCHANGER (16 plates) alt.9951090	5655780						•			
77	DHW EXCHANGER GASKET	5404520	•	•				•	•		
80	HYDRAULIC INLET GROUP	5655650			•	•					
80	HYDRAULIC INLET GROUP WITH FILLING TAP	5653550	•	•				•	•		
81	FILTER AND VENTURI ASSEMBLY	607240	•	•				•	•		
82	HYDRAULIC VENTURI ASSEMBLY	5630170	•	•				•	•		
85	O-RING 20,63X2,62	5405350	•	•				•	•		
87	PUMP CONNECTING ELEMENT	5210710	•	•	•	•	•	•			
90	FILLING TAP ASSEMBLY	5630180	•	•				•	•		
91	DRAINING TAP (alt. 9951120)	5652030	•	•	•	•	•	•			
92	HYDRAULIC SAFETY VALVE WITH O.R. -3 bar-	5653690	•	•	•	•	•	•			
96	PRESSURE PIPE (POSITIVE)	5653280	•	•				•	•		
97	PRESSURE PIPE (NEGATIVE)	5653270	•	•				•	•		
98	BY-PASS PIPE ASSEMBLY	5628240			•	•					

CYM4322AX970-1 STAR 240J
 CYM43228X970-1 STAR 280J
 CYM4332AX970-1 STAR 1 240 FI
 CYM433313970-1 STAR 1 310 FI
 CYM4362AX970-1 STAR 240 FI
 CYM43631X970-1 STAR 310 FI

X=1->LPG / X=3->NATURAL GAS

WESTEN STAR

Pos.	Description	Code	CYH4322A/970-1 STAR 240J CYH4322B/970-1 STAR 280J CYH4322A/970-1 STAR 1.240 FI CYH4331/970-1 STAR 1.310 FI CYH4322A/970-1 STAR 240 FI CYH4331/970-1 STAR 310 FI						X=1->LPG / X=3->NATURAL GAS			
			1	2	3	4	5	6	From serial number	To serial number	Inter-changeable	
98	BY-PASS PIPE ASSEMBLY	5653260	•	•				•	•			
99	BY-PASS PIPE FIXING CLIP	5108130	•	•	•	•	•	•				
100	O-RING 13,94X2,62X EPDM	5406630	•	•	•	•	•	•				
101	3 P.VALVE/PRESSURE SWITCH/SENSOR ASS.	5653590	•	•				•	•			
102	BY PASS/PRESSURE SWITCH	5628230			•	•						
102	3 PORT VALVE/PRESSURE SWITCH ASSEMBLY	607250	•	•				•	•			
103	SENSOR ASSEMBLY (DHW PRESSURE SWITCH)	5629950	•	•				•	•			
104	SANITARY OUTLET CONNECTION	5653840	•	•				•	•			
106	SCREW M5X12	8101430	•	•				•	•			
107	PIN GUIDE ASSEMBLY	5630250	•	•	•	•	•	•				
109	GASKET 10X14X1,5	5207810	•	•	•	•	•	•				
110	SPRING	8380530	•	•	•	•	•	•				
111	PRESSURE SWITCH PLATE ASSEMBLY	5630240	•	•	•	•	•	•				
112	DIAPHRAGM	5405960			•	•						
112	3 PORT VALVE DIAPHRAGM	5405320	•	•				•	•			
113	BY-PASS ASSEMBLY	5630190	•	•				•	•			
113	BY-PASS ASSEMBLY	5635220			•	•						
114	O-RING 26,64X2,62	5403820	•	•				•	•			
115	BY-PASS PLUG ASSEMBLY	5645660	•	•	•	•	•	•				
117	SANITARY PLATE ASSEMBLY	5646180	•	•				•	•			
118	CONIC SPRING	8380520	•	•				•	•			
119	HEATING PLATE ASSEMBLY	5646170	•	•				•	•			
120	SANITARY PLUG ASSEMBLY	5646190	•	•				•	•			
121	SCREW M5X10	8101410	•	•				•	•			
122	O-RING 23,47X2,62	5405370	•	•	•	•	•	•				
123	SCREW M5X13	8101440	•	•				•	•			
124	SPRING	8380540	•	•				•	•			
125	MICROSWITCH OPERATING PIN	5630260	•	•				•	•			
126	DHW PRESSURE SWITCH PLATE ASSEMBLY	5630270	•	•				•	•			
127	DHW PRESSURE SWITCH DIAPHRAGM	5405330	•	•				•	•			
128	O-RING 2,6X1,9	5405400	•	•				•	•			
129	PIN GUIDE	5207860	•	•				•	•			
130	MICROSWITCH WITH LEVER ASSEMBLY	5625770	•	•	•	•	•	•				
131	NTC SENSOR	9950930	•	•	•	•	•	•			B304	YES
131	NTC SENSOR	8434820	•	•	•	•	•	•	B304			
132	NTC SENSOR GASKET	5402830	•	•				•	•			
135	LIMIT THERMOSTAT 105°C	9950760	•	•	•	•	•	•				
136	EXCHANGER/3 PORT VALVE PIPE	5655460						•				
136	EXCHANGER/3 PORT VALVE PIPE	5655560		•								
136	EXCHANGER/3 PORT VALVE PIPE	5655640			•							
136	EXCHANGER/3 PORT VALVE PIPE	5653240	•					•				
136	EXCHANGER/3 PORT VALVE PIPE	5656010				•						
137	CONNECTING ELEMENT (GAS VALVE/RAMP)	5210700	•	•	•	•	•	•				
138	O-RING 22,22X2,62	5402010	•	•	•	•	•	•				
139	GAS VALVE INLET CONNECTION	5210630	•	•	•	•	•	•				
140	GAS VALVE (HONEYWELL VK 4105 A)	5644680	•	•	•	•	•	•			B240	YES
140	GAS VALVE (HONEYWELL VK 4105 M)	5665210	•	•	•	•	•	•	B240			
140	GAS VALVE (SIT 845 SIGMA)	5653610	•	•	•	•	•	•				
141	MODULATING COIL AND SPRING	8440130	•	•	•	•	•	•				
142	COIL FIXING SPRING	5108980	•	•	•	•	•	•				
143	N.G. SPRING/PIVOT ASSEMBLY	5637710	•	•	•	•	•	•				
144	CILINDRIC SPRING FOR N.G.	8380640	•	•	•	•	•	•				
147	CONNECTION TRAVERSE	5653160	•	•	•	•	•	•				
151	ELECTRIC BOX REAR COVER	5407650	•	•	•	•	•	•				
152	PRINTED CONTROL PANEL -LUNA 1.240 FI-	5656980			•							
152	PRINTED CONTROL PANEL -LUNA 1.310 FI-	5670480				•						
152	PRINTED CONTROL PANEL -LUNA 240 FI-	5656950					•					
152	PRINTED CONTROL PANEL -LUNA 310 FI-	5656970						•				

WESTEN STAR

Pos.	Description	Code	Model						From serial number	To serial number	Inter-changeable
			1	2	3	4	5	6			
152	PRINTED CONTROL PANEL -LUNA 240 I-	5656990	•								
152	PRINTED CONTROL PANEL -LUNA 280 I-	5657000		•							
153	TERMINAL BOARD COVER	5407660	•	•	•	•	•	•			
154	P.C.B. (SIT)	5654950	•	•	•	•	•	•			YES
154	P.C.B. (HONEYWELL/INECO)	5655990	•	•	•	•	•	•		B437	YES
154	P.C.B. BMBC (HONEYWELL/INECO)	5672510	•	•	•	•	•	•	B438		
157	CONTROL PANEL COVER	5656960	•	•	•	•	•	•			
166	TERMINAL BLOCK	8421590	•	•	•	•	•	•			
167	FUSE HOLDER	5405340	•	•	•	•	•	•			
168	FUSE (2A-250V) alt. 8421410	9950580	•	•	•	•	•	•			
169	MANOMETER WITH SUPPORT (ex 5656220)	9951020	•	•	•	•	•	•			
174	LUNA 2000 KNOB	5408200	•	•	•	•	•	•			
175	LUNA 2000 KNOB -SILVER-	5408190	•	•	•	•	•	•			
190	GASKET G3/8 8X15X2 WRC	5404970			•	•	•	•			
191	GASKET G1/2 12X18X2 WRC	5404640	•	•	•	•	•	•			
192	GASKET G 3/4 17X24X2 WRC	5404650	•	•	•	•	•	•			
193	GASKET D. 18	5400940	•	•	•	•	•	•			
194	GASKET D. 14	5400950	•	•	•	•	•	•			
195	ELASTIC RING D. 18	5101880	•	•	•	•	•	•			
196	ELASTIC RING D. 14	5101890	•	•	•	•	•	•			
200	CONNECTION ASSEMBLY	5626010	•	•				•			
200	CONNECTION ASSEMBLY	5628320			•	•					
201	HEATING CONNECTION	5625950	•	•	•	•	•	•			
203	HEATING FLOW - HEATING RETURN PIPE	5628020	•	•	•	•	•	•			
204	COLD WATER TAP	5625980	•	•	•	•	•	•			
209	GAS TAP ASSEMBLY	5627620	•	•	•	•	•	•			
210	GAS TAP WITH LEVER	9950830	•	•	•	•	•	•			
212	BICONIC GASKET	5209040	•	•	•	•	•	•		B202	YES
212	BICONIC GASKET	5408330	•	•	•	•	•	•	B202		
241	DRAUGHT DIVERTER ASSEMBLY	5625860	•								
241	DRAUGHT DIVERTER ASSEMBLY	5645560		•							
242	FLUE SAFETY THERMOSTAT 70°C	600870	•								
242	FLUE SAFETY THERMOSTAT 60°C	606930		•							
252	SELECTOR SWITCH (4 POSITION)	8434550	•	•	•	•	•	•			
280	GASKET 14,2X18X1,5 AL -18-	5207730	•	•				•			
284	POTENTIOMETER PIN	5405990	•	•	•	•	•	•			
286	NUT M5	8240530	•	•							
290	ADJUSTING DEVICE -V5306E 1226 1-	600850	•	•	•	•	•	•		B240	YES
290	MODULATOR ASSEMBLY -VK4105M-	5665230	•	•	•	•	•	•	B240		
291	IGNITER WITH CABLE (Honeywell/Ineco)	5653930	•	•	•	•	•	•		B444	NO
314	FLAME SENSING ELECTRODE CABLE	8418870	•	•	•	•	•	•			
329	HOSE ADAPTER M5	5207030			•	•	•	•			
363	O-RING 13,6X2,7	5410020	•	•				•			
467	NUT G3/4	9950310	•	•	•	•	•	•			
468	NIPPLE G3/4	5627970	•	•	•	•	•	•			
471	DHW OUTLET CONNECTION	5625960	•	•				•			
472	DHW OUTLET PIPE	5627990	•	•				•			
473	NUT G1/2	9950300	•	•	•	•	•	•			
474	NIPPLE G1/2	5627980	•	•	•	•	•	•			
475	COLD WATER PIPE	5628000	•	•	•	•	•	•			
478	SANITARY FILTER	5110040	•	•	•	•	•	•			
479	O-RING 20,35X1,78	5405190	•	•	•	•	•	•			
480	GAS PIPE	5628010	•	•	•	•	•	•			
481	NUT G3/4	5628030	•	•	•	•	•	•			
490	COLD WATER TAP WITH FILTER	5625970	•	•	•	•	•	•			
491	PLUG/FILTER ASSEMBLY	5637070	•	•	•	•	•	•			
493	FILLING KNOB ASSEMBLY	605660	•	•				•			
496	O-RING 2062	400020	•	•	•	•	•	•			

CYM4322A/970-1 STAR 240 I
 CYM4322B/970-1 STAR 280 I
 CYM4322A/970-1 STAR 1 240 FI
 CYM4331/970-1 STAR 1 310 FI
 CYM4322A/970-1 STAR 240 FI
 CYM4331/970-1 STAR 310 FI

X=1->LPG / X=3->NATURAL GAS

WESTEN STAR

Pos.	Description	Code	CYH4322A/970-1 STAR 240J CYH43228A/970-1 STAR 280J CYH4332A/970-1 STAR 1 240 FI CYH43331/970-1 STAR 1 310 FI CYH4332A/970-1 STAR 240 FI CYH43331/970-1 STAR 310 FI						X=1->LPG / X=3->NATURAL GAS		
			1	2	3	4	5	6	From serial number	To serial number	Inter-changeable
511	O-RING 17,86X2,62	5404600	●	●	●	●	●	●			
516	PIN	5210670			●	●	●	●			
517	PIPE FIXING ELEMENT	5407840	●	●	●	●	●	●			
518	CONTROL PANEL PIN	5112040	●	●	●	●	●	●			
519	NEON GLASS	5407780	●	●	●	●	●	●			
520	FLAP	5112050			●	●	●	●			
521	FLAP FIXING SPRING	8380730			●	●	●	●			
522	IGNITER SUPPORT	5655180	●	●	●	●	●	●		B444	
525	NAC CONNECTOR (SIT)	8419060	●	●	●	●	●	●			NO
525	NAC CONNECTOR (SIT)	8510910	●	●	●	●	●	●	B445		
527	HOLE PLATE	5408210			●	●					
528	NTC SENSOR	8434590			●	●					
999	LOW VOLTAGE COMP. WIRING (Hon. VK4105A)	5655110	●	●	●	●	●	●		B240	
999	LOW VOLTAGE COMP. WIRING (SIT & VK4105M)	5655100	●	●	●	●	●	●			
999	TERMINAL BOARD WIRING	8418950	●	●	●	●	●	●			
999	FLUE/LIMIT THERMOSTAT WIRING	8419140	●	●							
999	FAN/AIR PRESSURE SWITCH/LIMIT TH. WIRING	8419160			●	●	●	●			
999	IGNITER/GAS VALVE WIRING (Honeywell)	8419150	●	●	●	●	●	●		B444	
999	PUMP/SELECTOR WIRING	8419130	●	●	●	●	●	●			
999	POWER SUPPLY CABLE	8414620	●	●	●	●	●	●			
999	EARTH WIRING (HONEYWELL)	8419040	●	●	●	●	●	●		B444	
999	EARTH WIRING (SIT)	8419080	●	●	●	●	●	●			
999	TIMER CONNECTOR	8418860	●	●	●	●	●	●			

WESTEN

**BAXI S.p.A.
Via Trozzetti, 20
36061 BASSANO DEL GRAPPA (VI)
ITALY
Tel. +390424517111
Telefax +390424517379**